

**KBT****XPoI 4720~4820MHz 65° 17dBi 0°  
MIMO Directional Panel Antenna**

KB65D49A4-17D-T0

**Application**

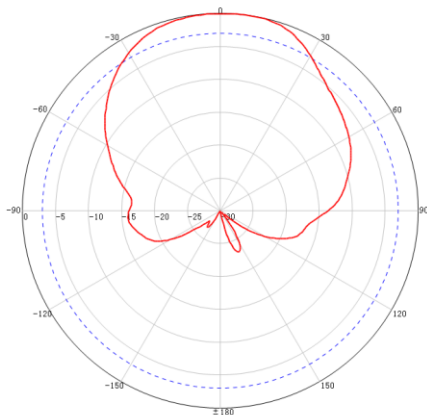
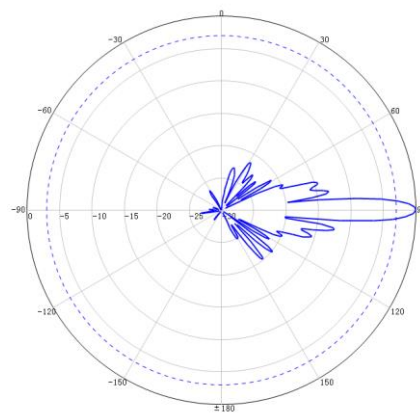
Used in 5G/WLAN system

**Electrical specifications**

Frequency range (MHz)	4720~4820
Polarization	±45°
Peak Gain (dBi)	17
Electrical Downtilt (°)	0
Horizontal beam width (°)	65
Vertical beam width (°)	6
Front-to-back ratio (dB)	25
Isolation (dB)	≥25
Impedance (Ω)	50
VSWR	≤1.5
Maximum power (W)	50
Lighting protection	DC Ground

**Mechanical specifications**

Connector	4*N Female
Connector position	Bottom
Antenna size (mm)	600*167*55
Packing size (mm)	830*270*150
Weight (kg)	≤2.2(Bracket not Included)
Radome material	UPVC
Radome color	Grey
Operating temperature (°C)	-40~60
Application	Outdoor
Mechanical tilt (°)	0-15
Rated wind velocity (m/s)	60
Suitable pole diameter (mm)	Φ50-Φ110
Mounting kit	JM-1800DZ

**4720~4820MHz Horizontal pattern:****4720~4820MHz Vertical pattern:**

Add: No.30 Dongyang 3rd Road, Danzao Town, Nanhai District, Foshan City, Guangdong, China 528216

Tel: +86-757-88022860

Email: kbt@kenbotong.com

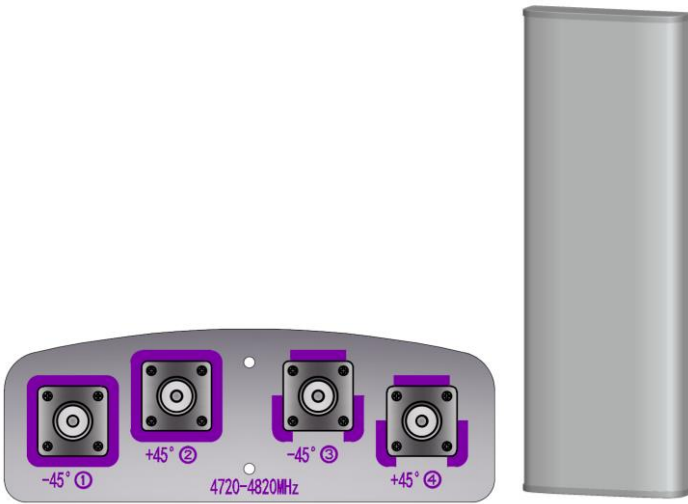
Web: <http://www.kenbotong.com>



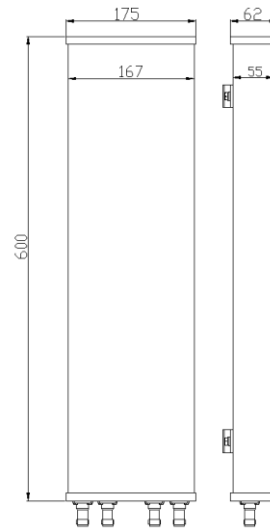
# KBT

## XPoI 4720~4820MHz 65° 17dBi 0° MIMO Directional Panel Antenna

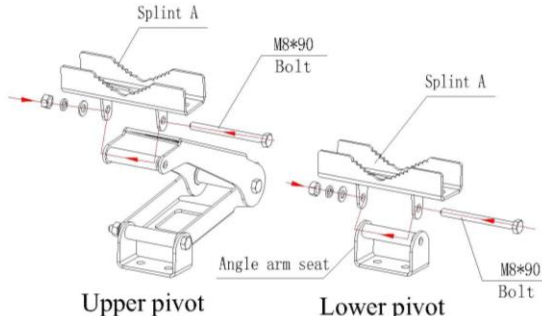
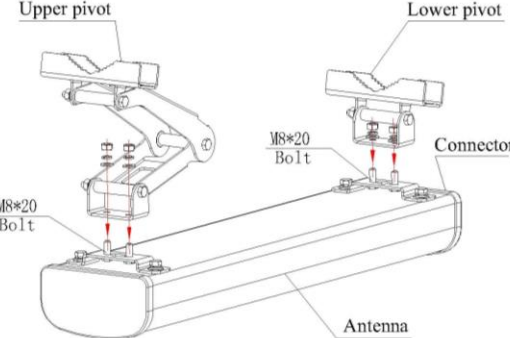
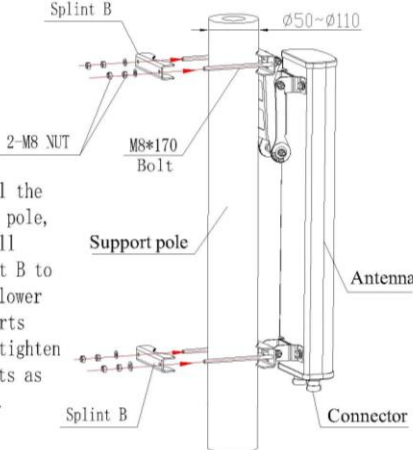
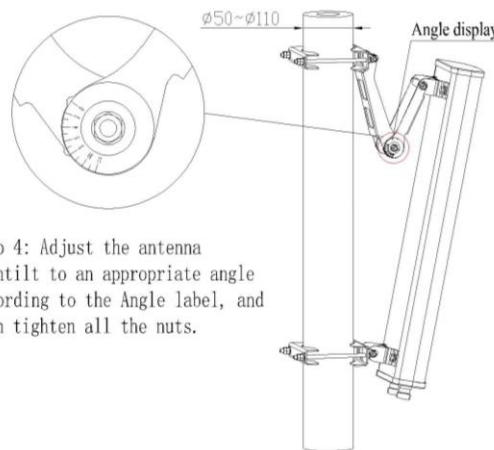
### Product pictures



### Product size



## Installation Sketch

 <p><b>Upper pivot</b>      <b>Lower pivot</b></p> <p>Step 1: Take out the upper and lower mounting support fittings, install splint A to the upper mounting support and Angle arm seat respectively, and pre-lock all nuts to ensure that they do not fall during installation.</p>	 <p><b>Upper pivot</b>      <b>Lower pivot</b></p> <p><b>M8*20 Bolt</b>      <b>Connector</b></p> <p><b>Antenna</b></p> <p>Step 2: Install the upper and lower mounting supports to the antenna, and tighten the four M8 nuts as shown on the figure (the above steps must be completed under the tower).</p>
 <p><b>Splint B</b>      <b>Support pole</b>      <b>Antenna</b></p> <p><b>2-M8 NUT</b>      <b>M8*170 Bolt</b>      <b>Connector</b></p> <p>Step 3: Install the antenna to the pole, and then install mounting splint B to the upper and lower mounting supports respectively, tighten the four M8 nuts as shown at right.</p>	 <p><b>Angle display</b></p> <p>Step 4: Adjust the antenna downtilt to an appropriate angle according to the Angle label, and then tighten all the nuts.</p>